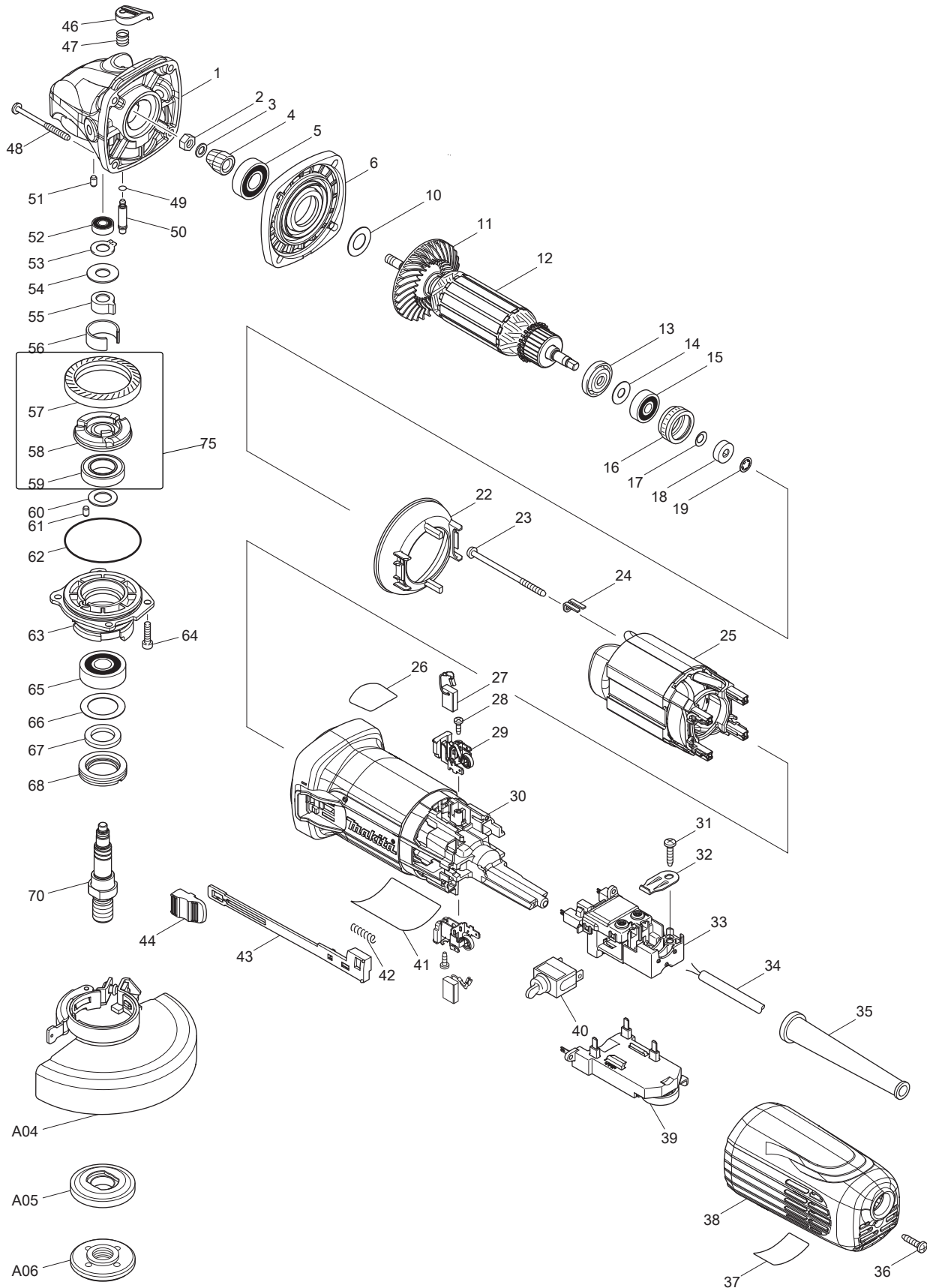




06 - 2013
GA4542C01
4-1/2" ANGLE GRINDER



Item No.	Type	Sub	Part No.	Description	Qty	Unit
001	2		319310-7	GEAR HOUSING	1	PC.
	3		136013-6	GEAR HOUSING ASSEMBLY	1	PC.
		INC.		ITEM NO. 46, 47, 49-51		
002			252186-8	HEX. NUT M6	1	PC.
003			253077-6	FLAT WASHER 6	1	PC.
004			227591-8	SPIRAL BEVEL GEAR 10	1	PC.
005			211142-7	BALL BEARING 6001LLB	1	PC.
006	1		318835-8	GEAR HOUSING COVER	1	PC.
	2		141981-0	GEAR HOUSING COVER	1	PC.
010			253084-9	FLAT WASHER 12	1	PC.
011			240134-9	FAN 60	1	PC.
012	1		515371-7	ARMATURE ASS'Y 115V	1	PC.
		INC.		Item No. 11, 13-15		
	2		510376-2	ARMATURE ASS'Y 115V	1	PC.
		INC.		Item No. 11, 13-19		
013			681656-4	INSULATION WASHER	1	PC.
014			253823-7	FLAT WASHER 7	1	PC.
015			210027-4	BALL BEARING 627DDW	1	PC.
016			421738-8	LABYRINTH RUBBER RING 22	1	PC.
017			267756-0	WAVE WASHER 6	1	PC.
018			688117-5	MAGNET SLEEVE	1	PC.
019			259039-2	SELF LOCK 6	1	PC.
022			453367-9	BUFFLE PLATE	1	PC.
023			266258-3	TAPPING SCREW 4X70	2	PC.
024			344871-8	RETAINER	2	PC.
025			626651-7	FIELD 115V	1	PC.
026			898443-6	LABEL, SJS2 MARK, EN	1	PC.
027	2		196454-8	A.C. CARBON BRUSH CB-340 2PC/SET (W/ ORIGIN)	1	SET
028			266007-8	TAPPING SCREW BIND PT 3X10	2	PC.
029	2		643770-4	BRUSH HOLDER	2	PC.
030			453366-1	MOTOR HOUSING	1	PC.
031			266326-2	TAPPING SCREW 4X18	1	PC.
032			687169-3	STRAIN RELIEF	1	PC.
033	1		638948-2	* SWITCH BLOCK	1	PC.
	2		632K99-9	* SWITCH BLOCK	1	PC.
034			664265-4	CORD W/PLUG 2P-16-2.5M, SJ	1	PC.
035			682566-8	CORD GUARD 10	1	PC.
036			266326-2	TAPPING SCREW 4X18	1	PC.
037			898444-4	INDICATION LABEL	1	PC.
038			141578-5	REAR COVER COMPLETE	1	PC.
		INC.	810341-4	CAUTION LABEL EN/FR/SP	1	PC.
039	1		620130-7	* CONTROLLER	1	PC.
	2		620737-9	* CONTROLLER	1	PC.
040			651418-4	SWITCH ST115A-40, SINGLE	1	PC.
041			897093-4	NAME PLATE F/GA4542C	1	PC.
042			233071-4	COMPRESSION SPRING 4	1	PC.
043			453847-5	SWITCH LEVER	1	PC.
044			453368-7	SWITCH KNOB	1	PC.
046			453369-5	PIN CAP	1	PC.
047			234057-1	COMPRESSION SPRING 8	1	PC.
048			266361-0	TAPPING SCREW 4X30	4	PC.
049			213032-0	O RING 4	1	PC.
050			256535-1	SHOULDER PIN 6	1	PC.
051			263002-9	RUBBER PIN 4	1	PC.
052			210006-2	BALL BEARING 696ZZ	1	PC.
053			961005-4	RETAINING RING S-9	1	PC.
054			253180-3	FLAT WASHER 10	1	PC.
055	3		310683-1	JOINT SLEEVE	1	PC.
056			346556-2	C TYPE PLATE	1	PC.
057			227592-6	SPIRAL BEVEL GEAR 38	1	PC.
058			313228-4	COUPLING	1	PC.

Item No.	Type	Sub	Part No.	Description	Qty	Unit
059			210302-8	BALL BEARING 6903ZZ	1	PC.
060			253744-3	FLAT WASHER 12	1	PC.
061			263002-9	RUBBER PIN 4	1	PC.
062			213641-5	O RING 51	1	PC.
063	1		318837-4	BEARING BOX	1	PC.
	2		136012-8	BEARING BOX ASSY	1	PC.
		INC.		ITEM NO. 061, 062		
064			265490-6	HEX. SOCKET HEAD BOLT M4X16	4	PC.
065			211129-9	BALL BEARING 6201DDW	1	PC.
066			267279-8	FLAT WASHER 21	1	PC.
067			443124-3	FELT RING 17	1	PC.
068			285854-8	BEARING RETAINER 20-33	1	PC.
070			326131-0	SPINDLE A	1	PC.
075			135555-7	COUPLING ASSY	1	PC.
		INC.		Item No. 57-59		
076			892272-9	CLEAR LABEL F/NAME PLATE (Added)	1	PC.
100	Opt.		265083-9	+ FLAT HEAD SCREW M8X11F/HEAD COVER	1	PC.
101	Opt.		453378-4	HEAD COVER	1	
C01			873102-3	CARTON F/GA4542C01	1	PC.

ACCESSORIES

- See Catalogue or visit www.makita.ca for more accessories -

A01			194514-0	VIBRATION PROOF GRIP F/4" - 6", PKG	1	PC.
A02			782412-6	LOCK NUT WRENCH 28	1	PC.
A03	1		A-80640	4-1/2" DEPRESSED CENTER WHEEL WA36N-BF - BULK	1	PC.
	2		A-95956-25	4-1/2" D.C.G.W WA36N 25/PK	1	SET
	Opt.		-----	DEPRESSED CENTER GRINDING WHEELS		
A04			123144-0	4-1/2" TOOLLESS WHEEL COVER ASSY (D.C.W)	1	PC.
		INC.	213009-5	O RING 4	1	PC.
		INC.	265180-1	PAN HEAD SCREW M5X16	1	PC.
A05			224399-1	INNER FLANGE 45	1	PC.
A06			224568-4	LOCK NUT 5/8-45	1	PC.
A07			122910-2	4-1/2" CUT-OFF WHEEL COVER ASSY	1	PC.
		INC.	213009-5	O RING 4	1	PC.
		INC.	265180-1	PAN HEAD SCREW M5X16	1	PC.
A08	1		195935-9	DUST COVER ATTACHMENT SET	1	PC.
	2		198719-4	DUST COVER ATTACHMENT SET	1	PC.
A09			743036-3	RUBBER PAD 100	1	PC.
				DUST COLLECTION COVER 4-1/2-5" - See Parts Breakdown		
A10			196575-6	#196575-6	1	PC.
A11			-----	DIAMOND CUP WHEELS (Use with Item No. A10)		
A12			193048-0	SANDING LOCK NUT 5/8-48	1	PC.

SERVICE CHANGES

1. Addition of Sponge sheet

(TI#B7825)

Item No.	Description	Type 1	Type 2
33	SWITCH BLOCK	638948-2	632K99-9
39	CONTROLLER	620130-7	620737-9

